



Fuse



The distinctive character of the Fuse is the amalgamation of straight and curved lines. The organic-shaped basin with the subtle but sinuous integrated overflow on the inside is punctuated by the straight lines on the outside. The back edge where Fuse is mounted on the wall is set lower to create a floating effect and shelf space at the same time. The bottle trap is almost concealed underneath the basin to make the Fuse an object.

Fuse is available in white Velluto® biobased and with a dark blue and silk grey Soft Touch coating on the outside.

Design by Marike Andeweg

- White Velluto® biobased
- Dark Blue Soft Touch coating
- Silk Grey Soft Touch coating

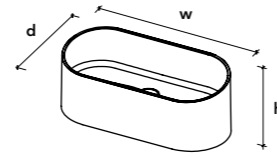


Fuse

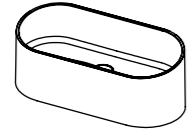
Fuse Models

Specifications

- delivered with closable click-clack waste kit with Velluto® drain cover and integrated overflow
- including Fischer bolt set for wall-mounting
- including Senzo siphon (also possible to use a siphon of your own choice)
- optional: Palette finish in NCS or RAL color for projects from 10 pieces
- optional: Soft Touch coating in NCS or RAL color for projects from 10 pieces



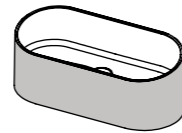
FSE02
w700 x d400 x h270mm
white



FSEST02-5008
w700 x d400 x h270mm
Dark Blue Soft Touch coating



FSEST02-7044
w700 x d400 x h270mm
Silk Grey Soft Touch coating



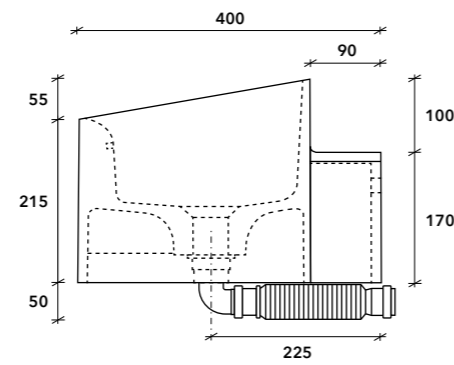
Materials and colors

Velluto®
biobased

- White
- with Dark Blue Soft Touch coating (RAL 5008)
- with Silk Grey Soft Touch coating (RAL 7044)
- with Soft Touch coating in custom NCS or RAL color possible for projects from 10 pieces
- with Palette finish in custom NCS or RAL color possible for projects from 10 pieces

Mounting

Side view



Back view

