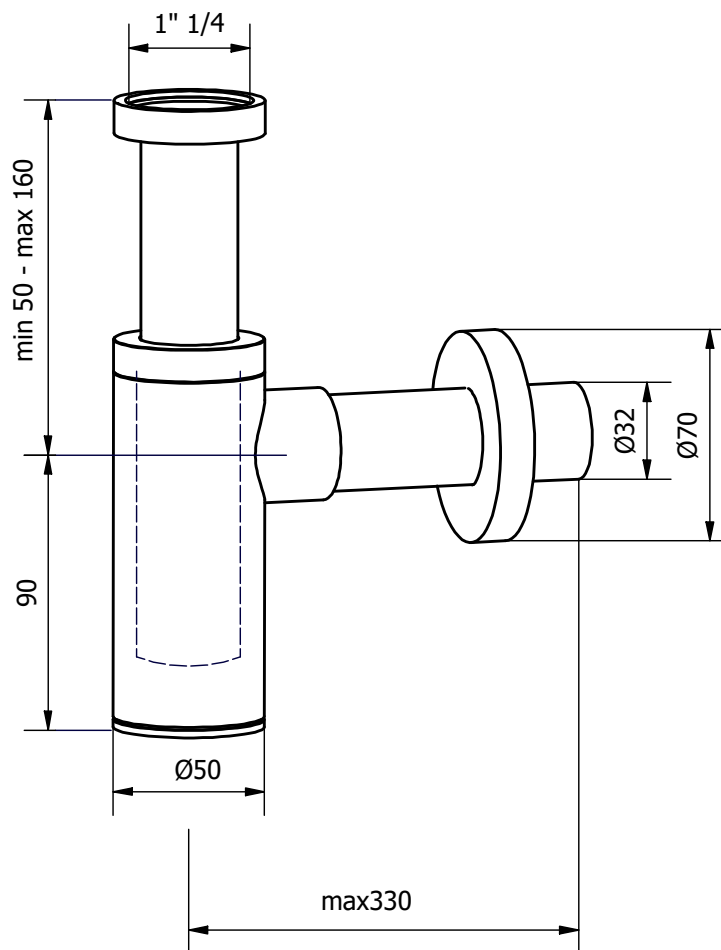


Comfort collection

Bottle trap for washbasins. NBN EN 274-1:2002 norm applicable / Sifon voor wastafels. NBN EN 274-1:2002 norm van toepassing



**NOT
ONLY
WHITE**®

| | | | | | |
|-------|---------------------|------|-------|---|------------|
| TYPE | Comfort | CODE | ACF03 | UNIT | mm |
| MATR. | matt brushed chrome | | | FORMAT | A4 |
| MODEL | white or black | | | SCALE | - |
| - | - | - | - | DATE | 15-12-2022 |
| DIM | - | - | - | TOLERANCE, unless otherwise noted : ± 2mm | |
| -- | - | - | - | - | - |