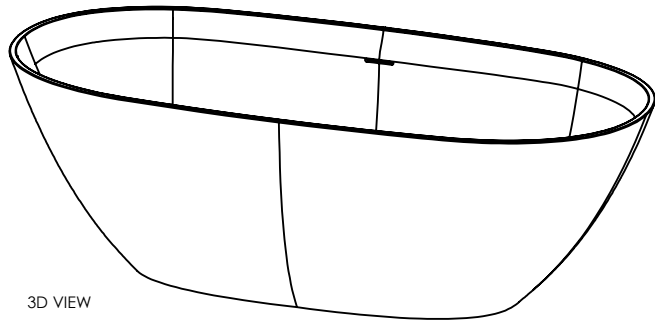
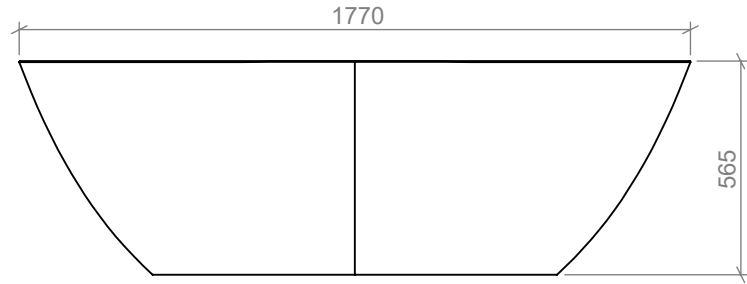
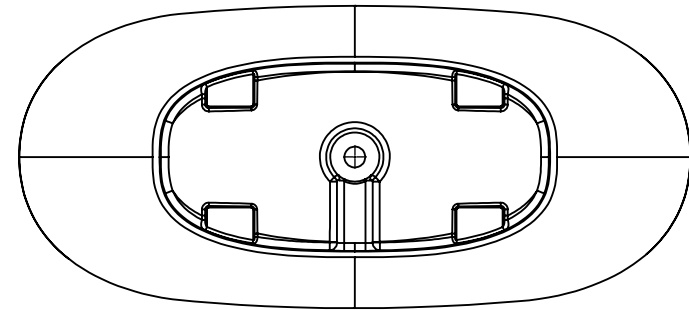
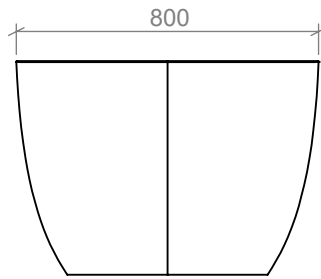
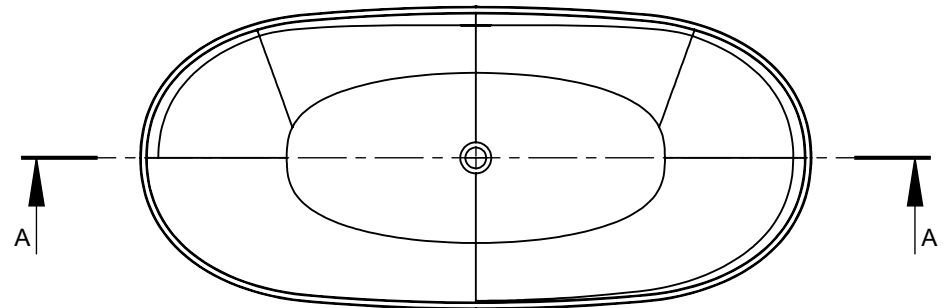


SECTION A-A



3D VIEW



<b>NOT ONLY WHITE</b> ®	TYPE	MUSE	CODE	FMU04	UNIT	mm
	MATR.	Velluto® biobased			FORMAT	A4
	EDGE				SCALE	1:20
	DRAIN				DATE	04/04/2022
		w1770xd800xh565mm			TOLERANCE, unless otherwise noted : ± 2mm	
		--				