

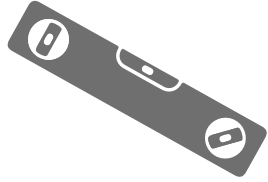
**NOT  
ONLY  
WHITE®**

## **Mist shower floor**

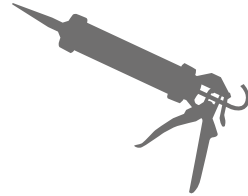
Installation Manual

---

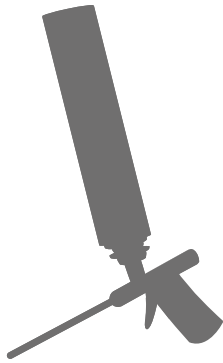
## Assembly equipment



Level of an appropriate size



Silicone



Non-expandable polyurethane foam



Rule

# Instruction for use and installation of the shower tray

Dear Customer,

We would firstly like to thank you for your trust and for purchasing this shower tray. Please take a few minutes to read this manual before proceeding with the installation. The entire content is based on the most recent product information available at the time of publication. We reserve the right to make changes to the product features, packaging or availability at any time and without prior notice

## BEFORE STARTING:

Observe all of the local hydraulic and building regulations. The following instructions are to be followed by qualified personnel with the technical background and experience needed to manage the product safely. This shower tray should only be used in domestic environments at room temperature. The Manufacturer shall not be held responsible and the warranty shall no longer be valid in case of improper use.

Before installing the product, use a metallic bar or ruler to make sure the product has not warped due to improper storage. In case of improper installation, warranty will decay. In case of installation of a warped/deformed product, warranty will decay. A 2 mm distortion per linear metre is within the tolerances of manufacture and is therefore not to be considered a defect. Place the shower tray back in the carton until it is installed. Before installing, check access to the final hydraulic connections. To prevent water stagnation, the shower jet must fall entirely and exactly within the shower tray, preferably above the drain (and never above the flat standing/walk-in area). Warranty will decay in case of improper installation.

## PREPARING THE LOCATION:

Make sure the floor and the supporting surfaces are flat, level and stable. Drill a hole that is wide enough to contain the appropriate drainage kit needed for the drainage system. The hole must be appropriately located and while keeping the position and size of the shower tray in mind.

## PREPARING THE SHOWER TRAY:

Install the drainage kit on the shower tray as indicated by the Manufacturer. Position the shower tray where it shall be installed (raised by means of wooden blocks), make sure it is plumb and level and fasten all the hydraulic connections of the drainage system.

### **Open the faucets and let the water run inside the shower tray. Check all the connections for possible leaks.**

Place the shower tray on the floor and make sure it is perfectly at. Seal the entire perimeter of the shower tray with acetic silicone. If the shower tray is slightly above the floor, or semi-embedded, leave 2-3 mm of space around the entire perimeter (which must be sealed with acetic silicone); as to make room for the thermal expansion of the material. Let the silicone dry for at least 24 hours before using the shower tray (or before mounting any shower walls). Protect the surface of the shower tray from mortar, glue or putty used to install the shower cubicle, tiles or for any other installation.

## INSTRUCTIONS FOR USE:

**This shower tray cannot be used autonomously by people with reduced motor skills, or with sensory and/or cognitive impairments (including children), or by anyone lacking the necessary know-how needed.**

**This shower tray was designed for domestic use, or similar, and it must only be installed and used at room temperature.**

**It is dangerous to use the shower tray in the vicinity or while using electrical appliances (radios, hair dryers,**

**electric heaters etc.).**

**When the surface of the shower tray is wet, the degree of slipperiness increases, especially if shampoos, soaps and oils are used. This shower tray could be slippery during its use.**

## CARE AND MAINTENANCE:

Taking care of this product is simple and quick. For everyday cleaning, use soapy water or a creamy detergent and a cloth or soft sponge. Common everyday bathroom products in spray, liquid, gel or cream forms are acceptable. Rinse well and clean regularly after use to prevent the accumulation of dirt or limescale. For extraordinary cleaning, a limescale remover such as Viakal, white wine vinegar or lemon juice can be used, taking care to rinse the surface well.

## HOW TO PREVENT DAMAGES:

The surface is very resistant to stains in general: we do not recommend the use of very aggressive products such as acetone, trichloroethylene, strong acids (muriatic acid) or strong bases (caustic soda), industrial detergents or solvents used in the paint sector. Some substances, such as ink, cosmetics and dyes, if in prolonged contact with the surface, can stain the material; the same can happen with lighted cigarettes. Do not use metal scrapers, iron brushes, blades, cutters or other domestic metal tools to remove stains, paint, putty or anything else. Avoid hitting or objects falling on the tray. Avoid any thermal stress: do not use boiling water (exceeding 55°C - 130°F) and do not pour boiling liquids or oils on the surface. Do not put red-hot objects, cigarettes or ashes onto the surface. Do not direct hot steam onto the surface to clean it.

## REMEDIES FOR INCIDENTALLY OCCURRED DAMAGES:

If your installer or bricklayer has dirtied the product while installing it, this can be cleaned with a buffering acid (e.g. Mapei Keranet liquid) and a soft sponge to eliminate any residues, taking care to test it in a hidden area first. To remove stains, haloes, burns and light scratches, use a common cream detergent (e.g. Cif) with a wet Scotch-Brite pad. If this is not enough, use P400 fine abrasive paper, paying attention not to ruin the texture.

## WARRANTY:

This product is regulated under the National and European regulations relating to the sale of consumer goods. The warranty is valid when a lack of conformity is noticed within two years from the time the product was delivered. This warranty does not affect the legal rights of the Buyer. Check if there are any additional commercial warranties for this product.

### The WARRANTY is valid whenever:

Installation was performed appropriately, with walls, shower tray, well-aligned walls and leveled floors. The product was checked before installation. The installation, as made, was checked to make sure there were no water leaks and the water drained away properly. Product maintenance and cleaning are carried out according to the instructions reported in the Cure and Maintenance Manual.

### The WARRANTY is not valid whenever:

The instructions for use and installation reported herein were not observed. A warped or faulty product has been installed without the mandatory prior inspection. The Installer/User changed or customized the product without the manufacturer's authorization. Accidental damages occur as a result of collisions or improper use. The wear and tear of the product occurs normally. Damages are caused by disasters, such as fires or natural disasters, including floods, earthquakes, etc.

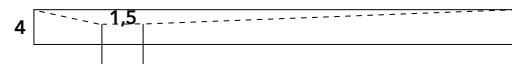
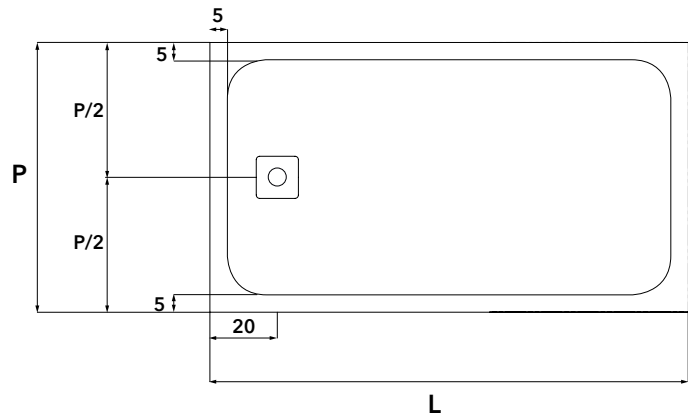
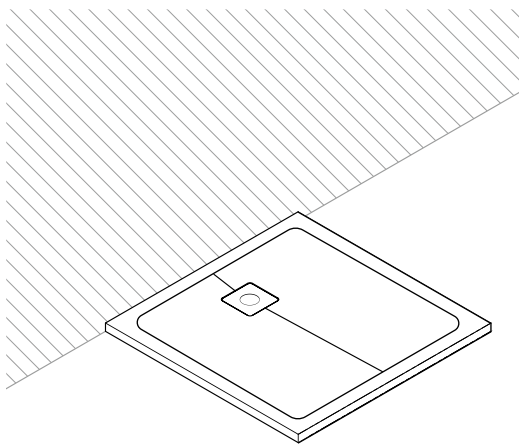
# Mist shower floor short side drain



# Mist shower floor short side drain

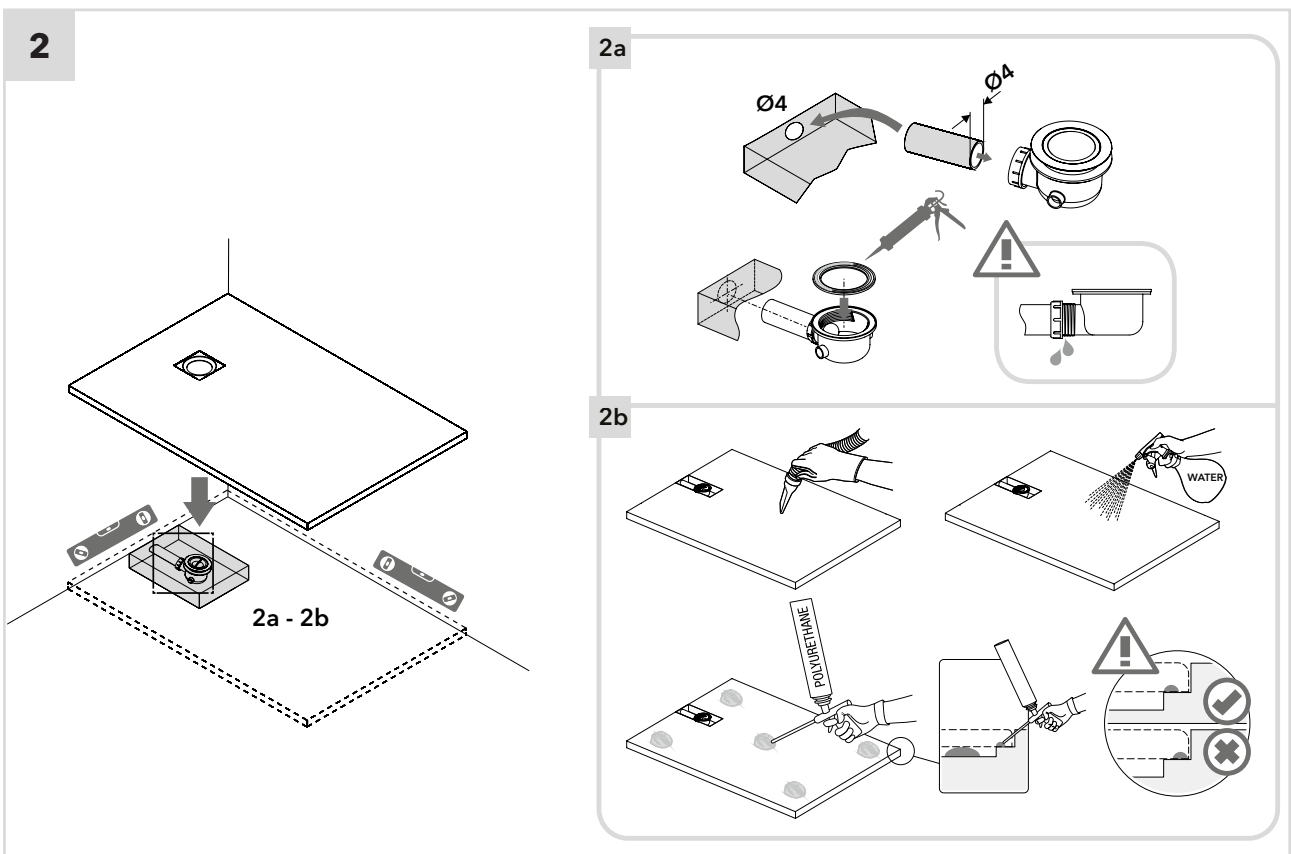
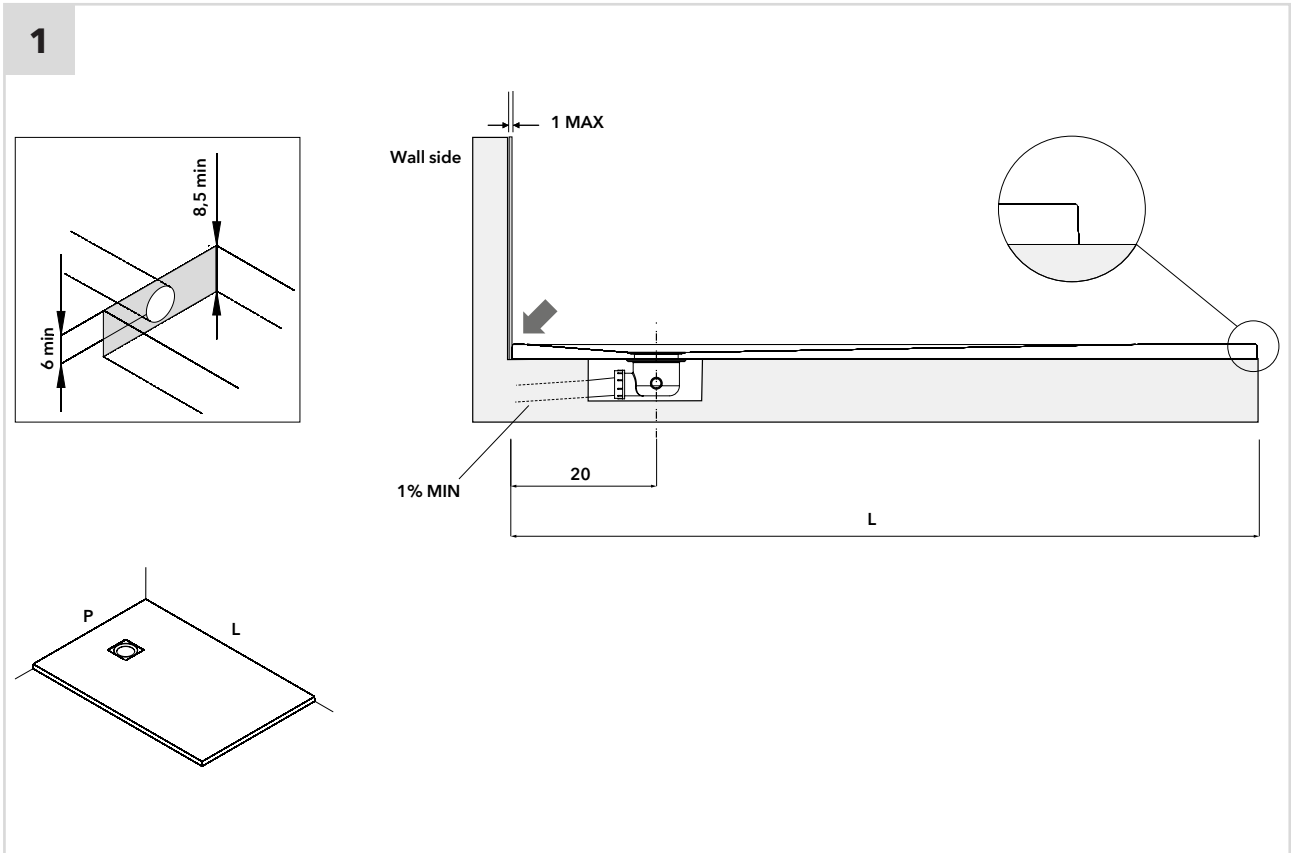
Measurements are expressed in centimeters  
Dimensions for left installation  
The right installation is specular

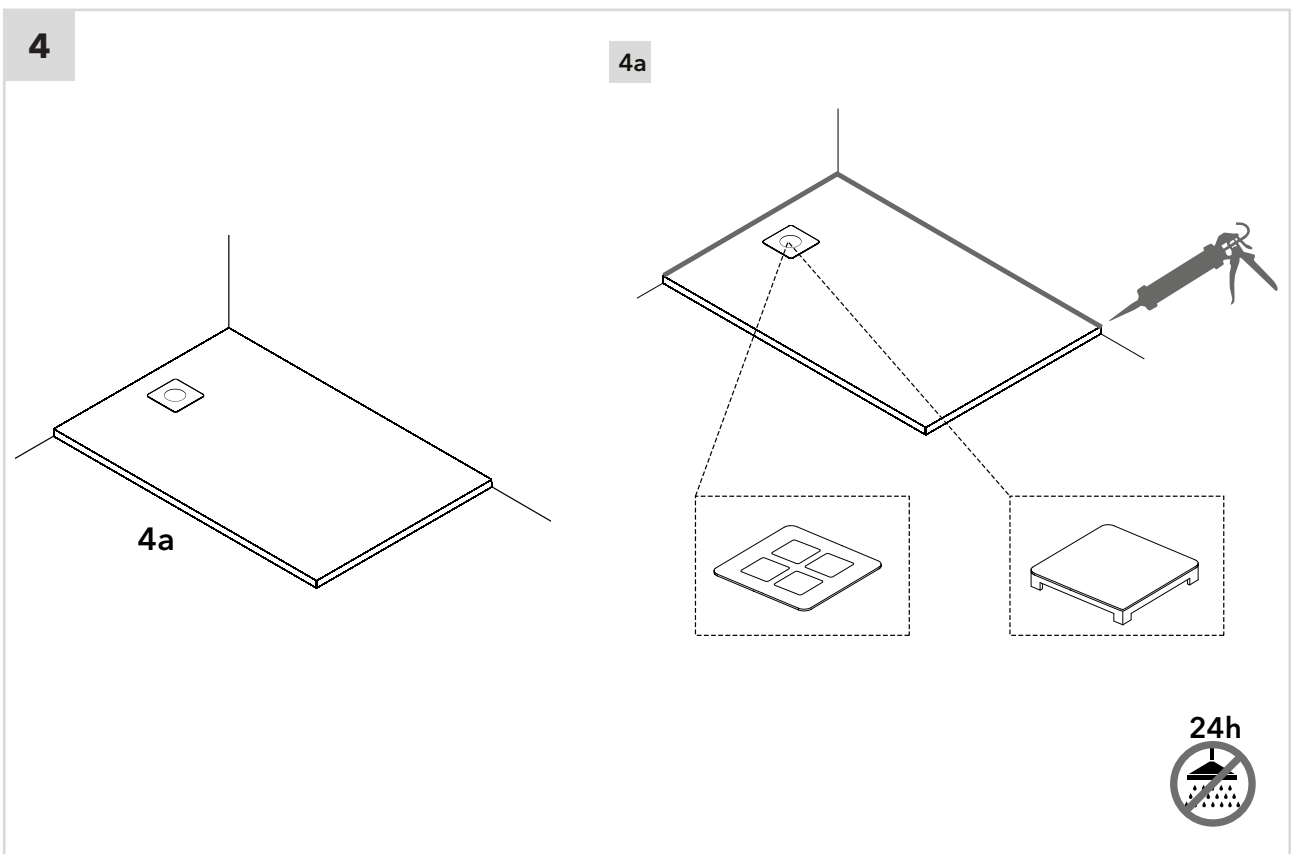
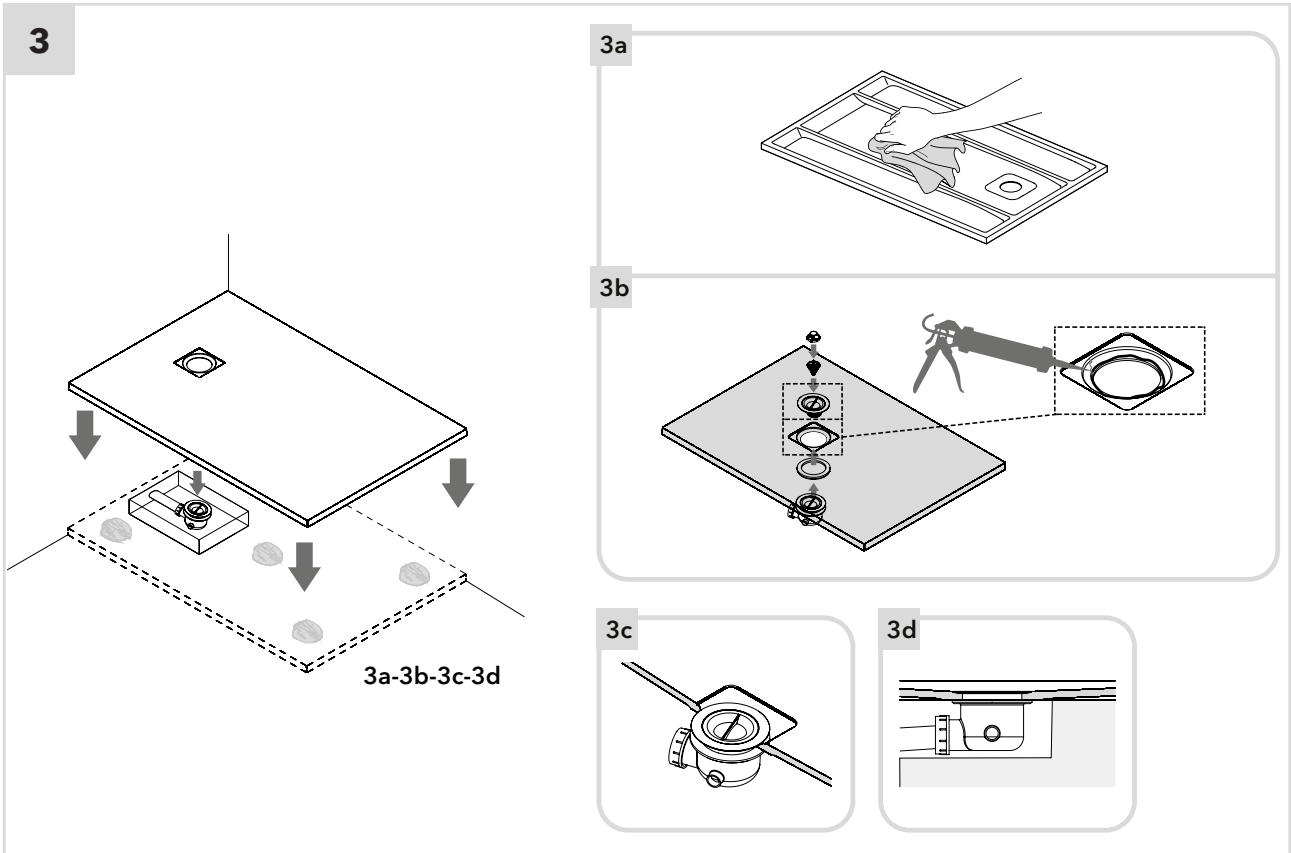
P	L
90	90 / 100 / 120 / 140 / 160



# Floor Assembly

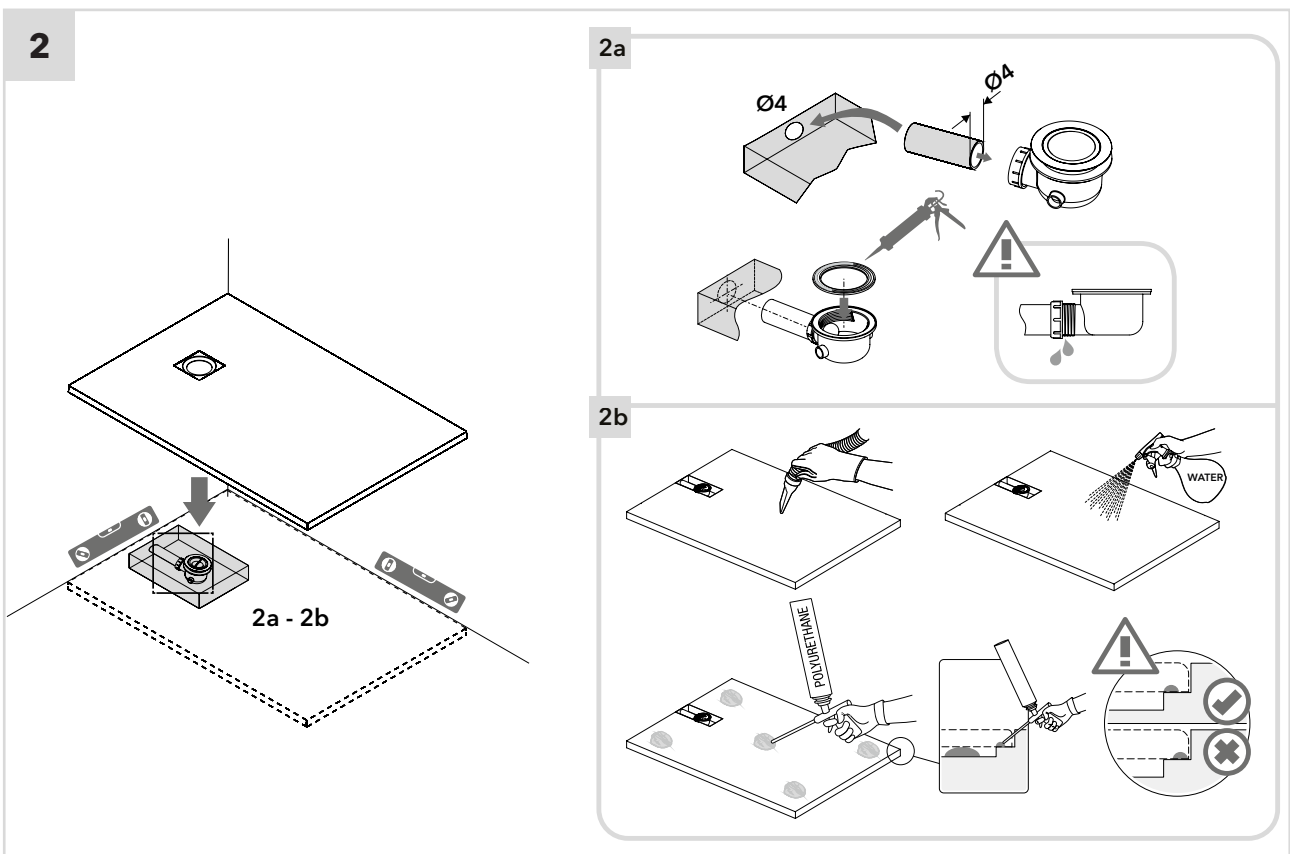
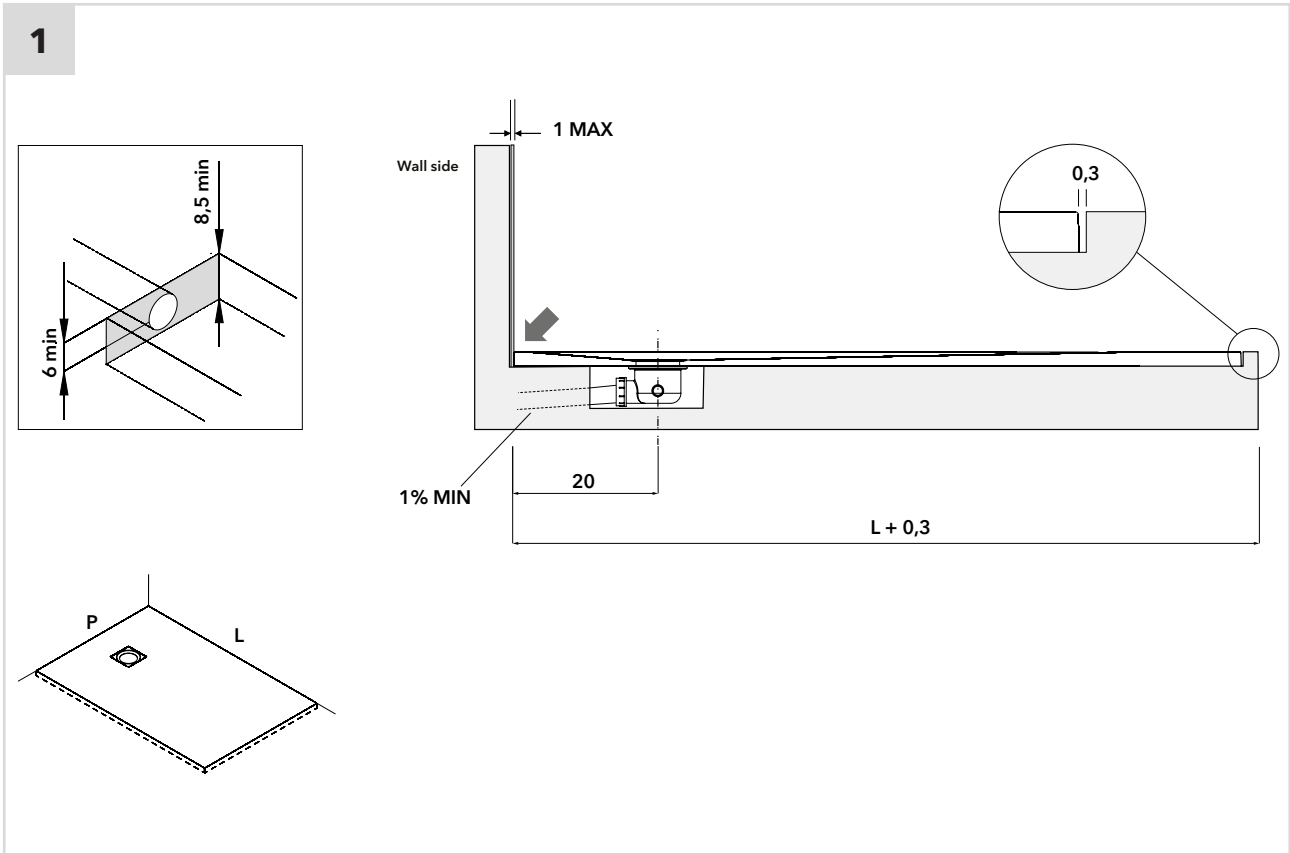
Mist shower floor short side drain



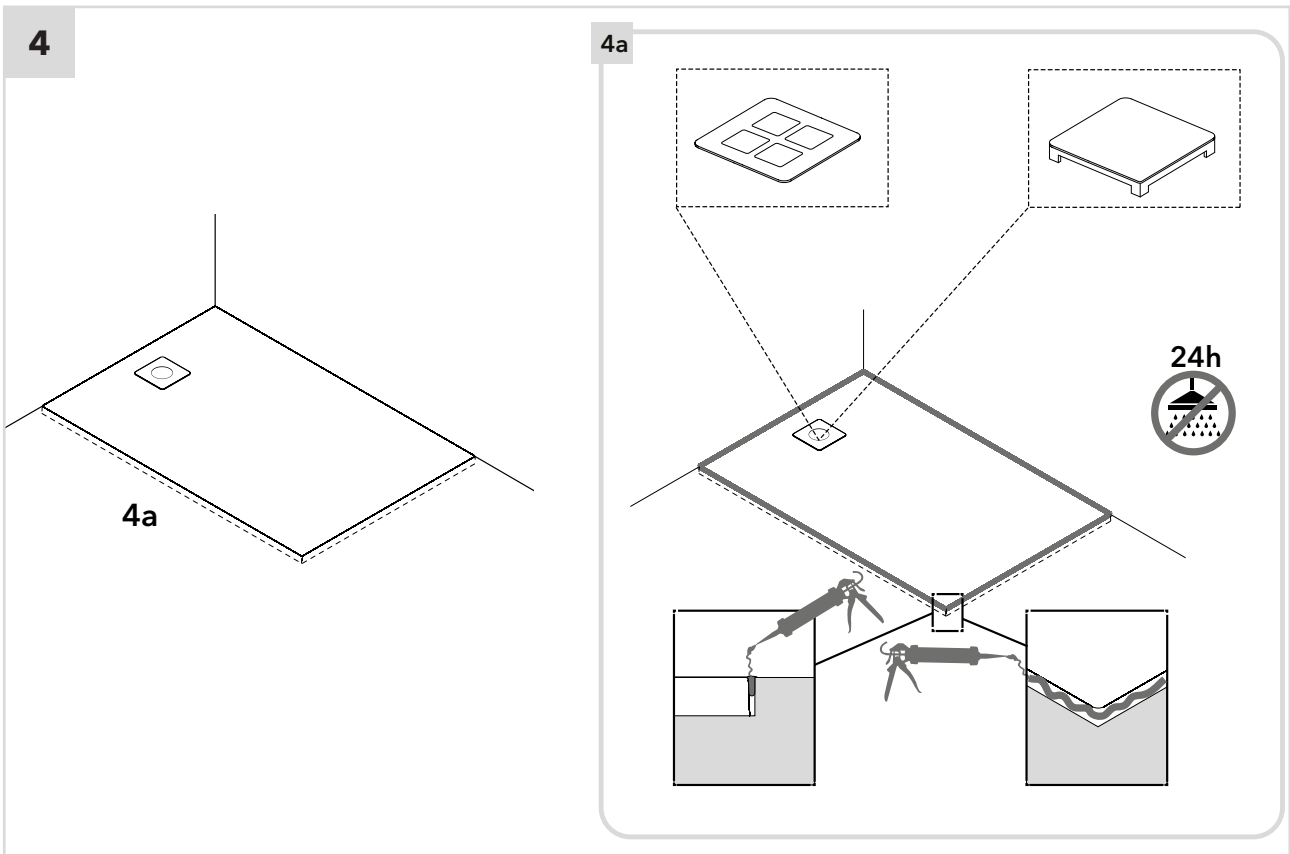
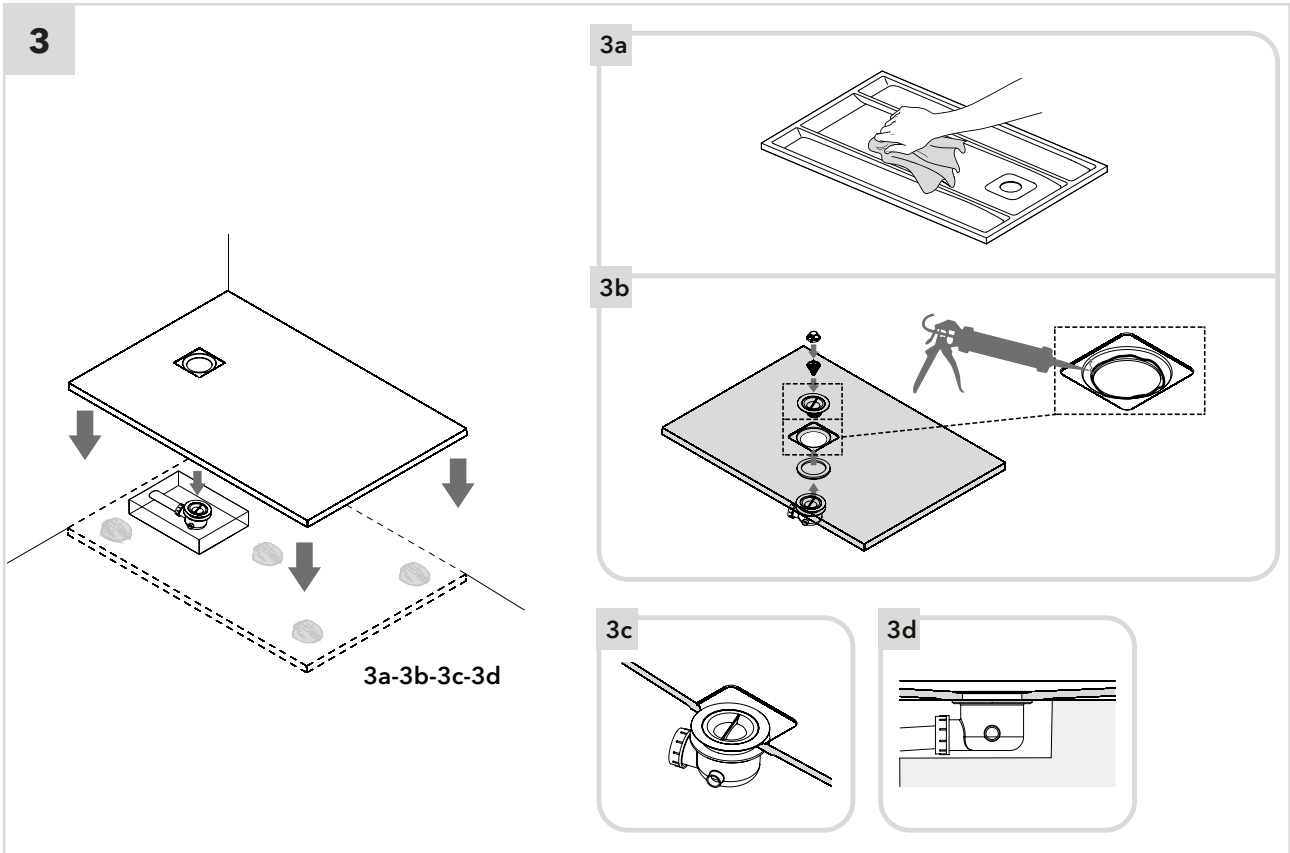


# Embedded Assembly

Mist shower floor short side drain







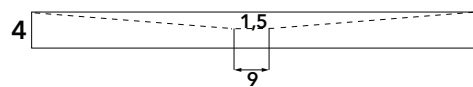
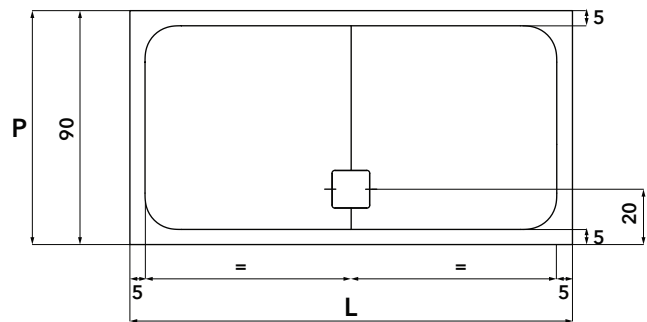
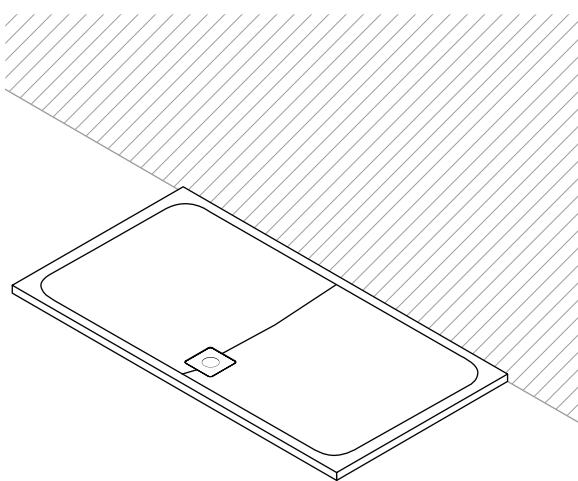
## **Mist** shower floor long side drain

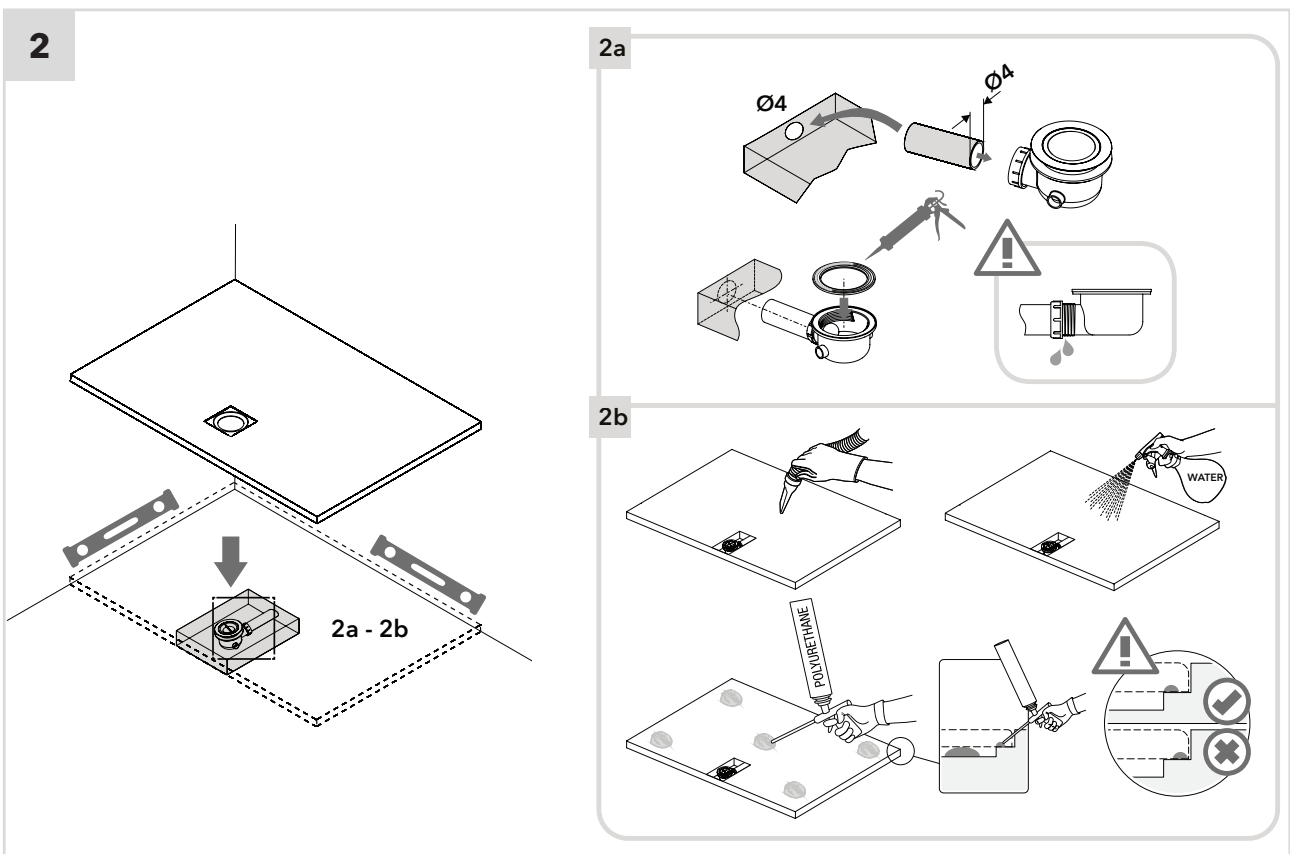
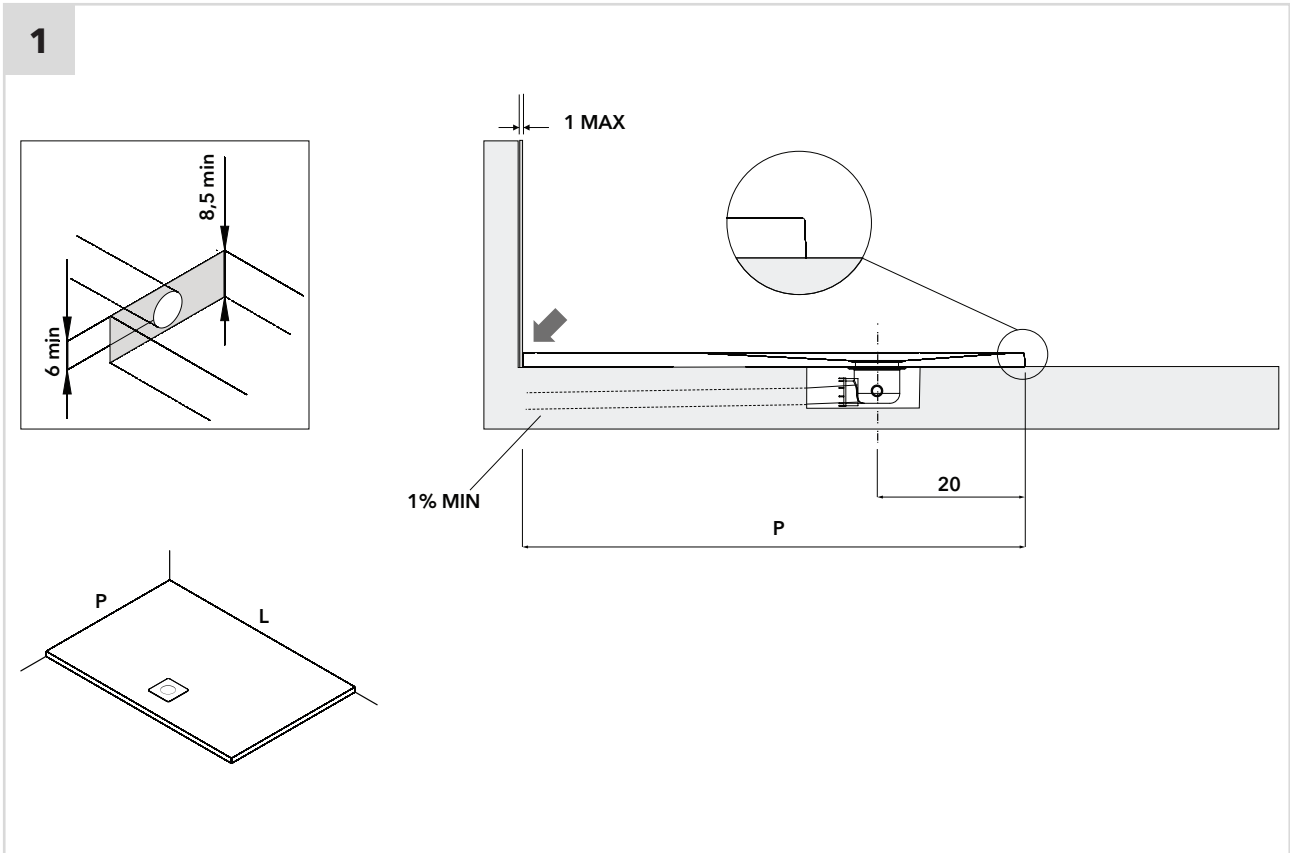


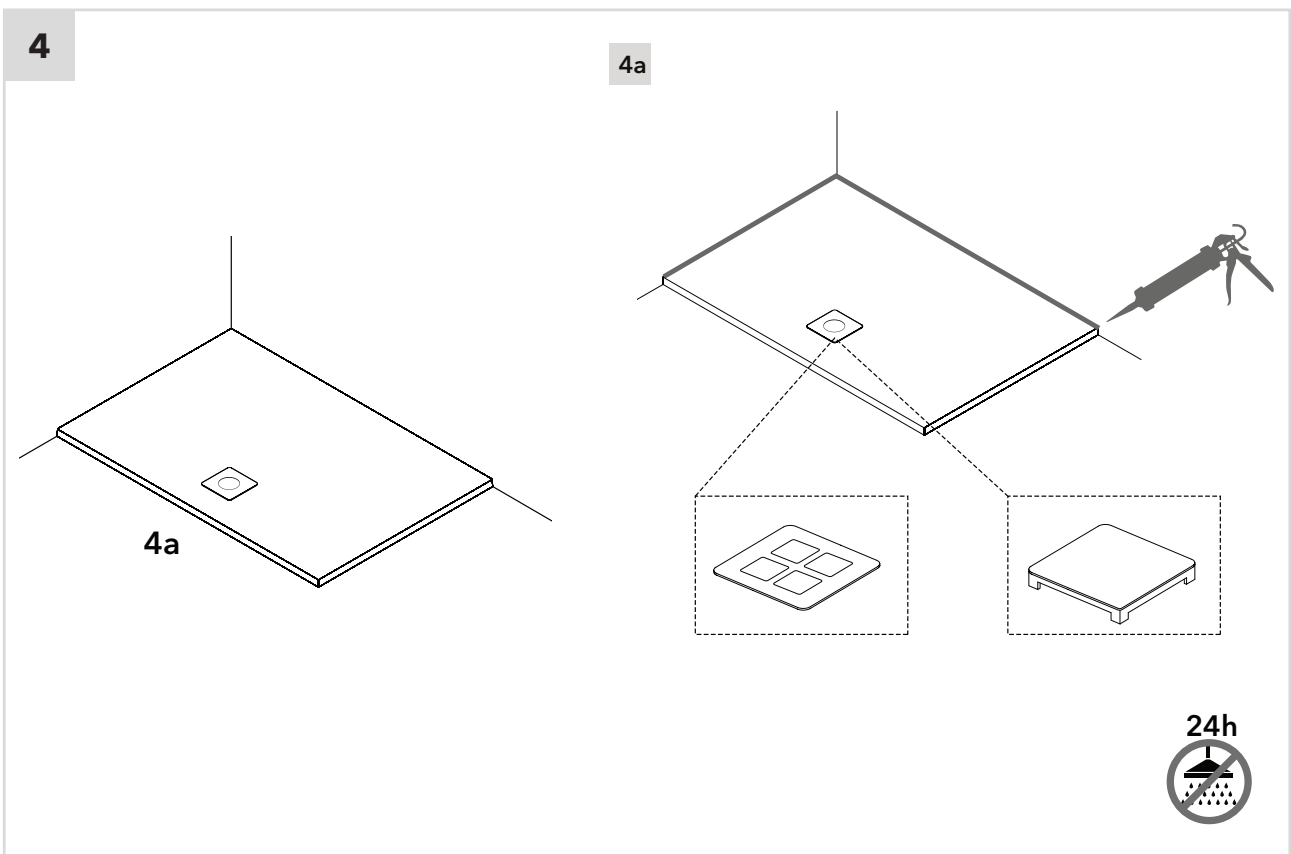
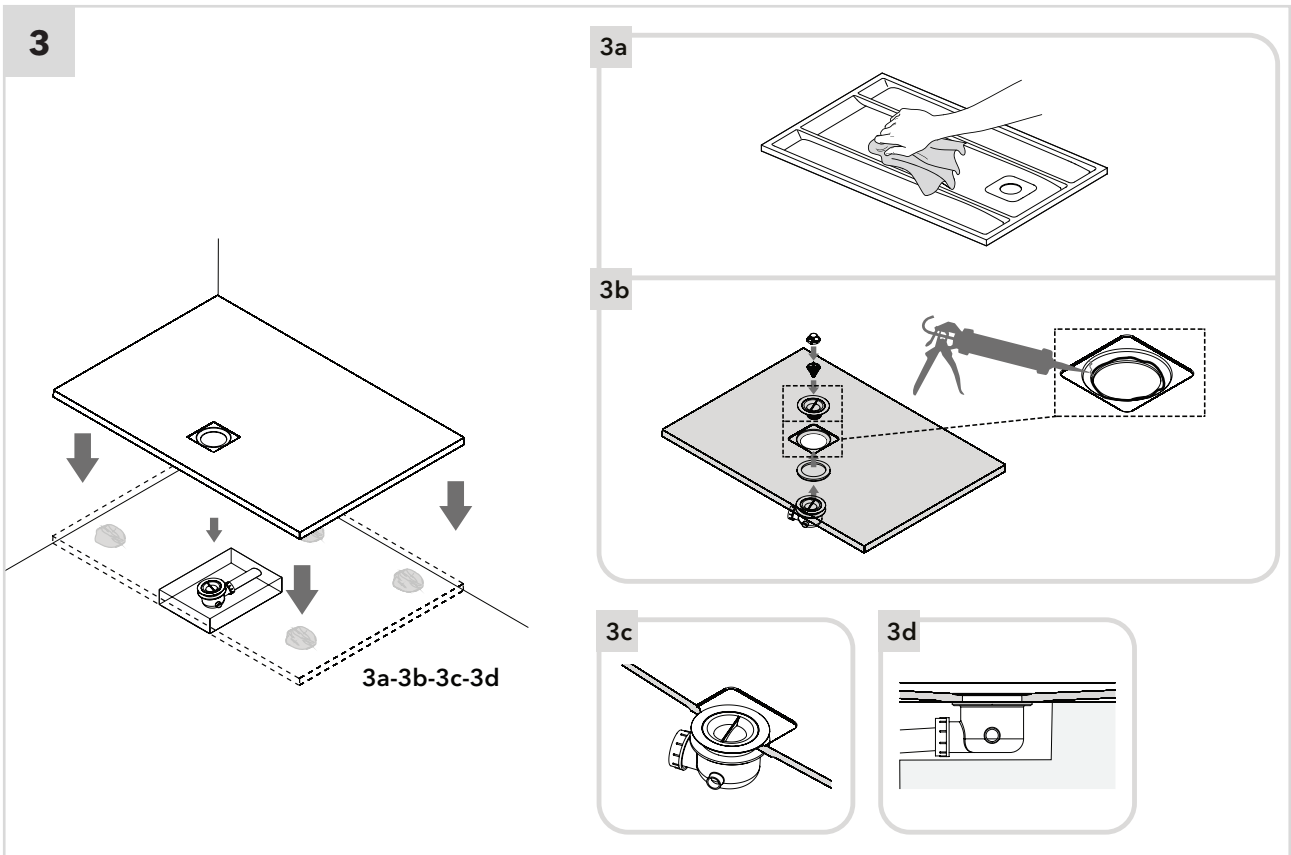
# Mist shower floor long side drain

Measurements are expressed in centimeters  
Dimensions for central installation

P	L
90	170 / 180

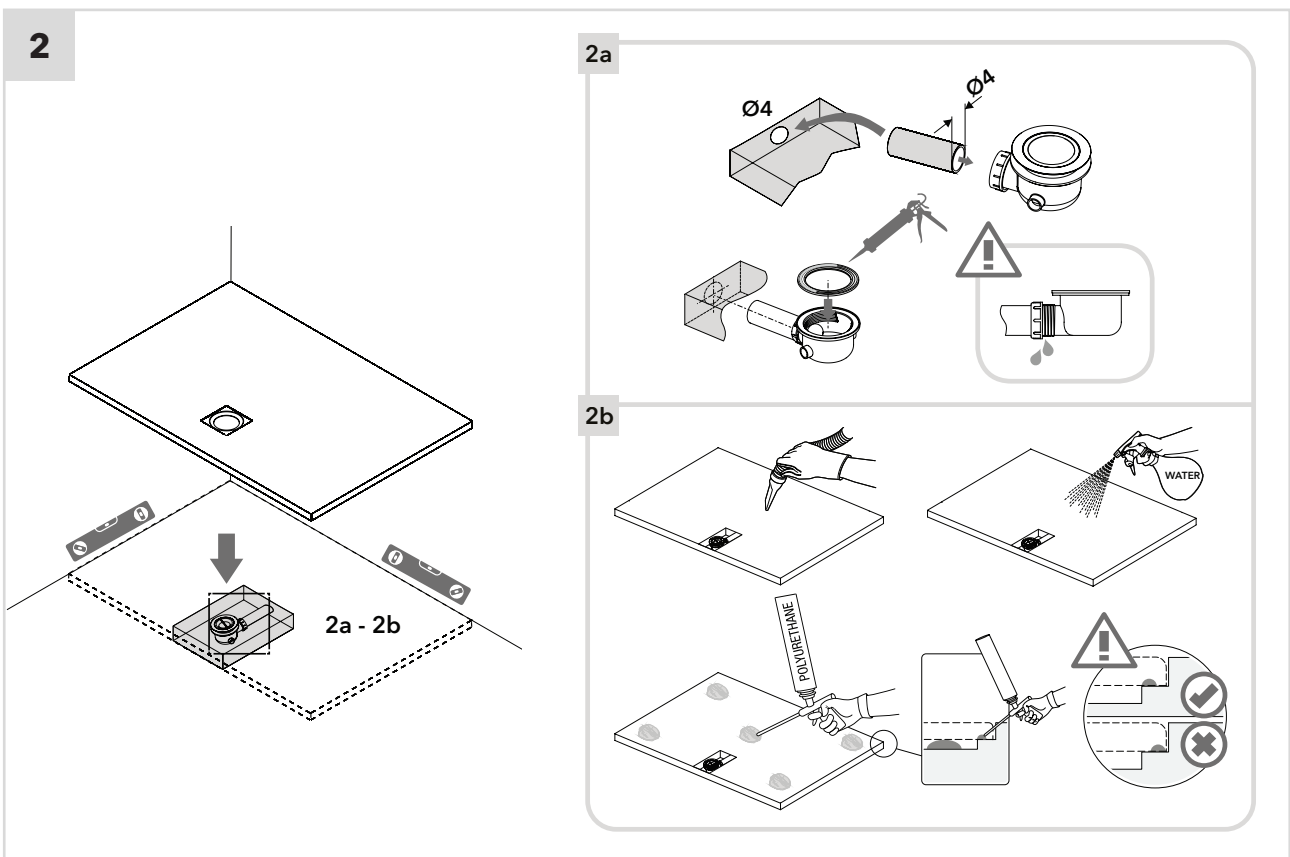
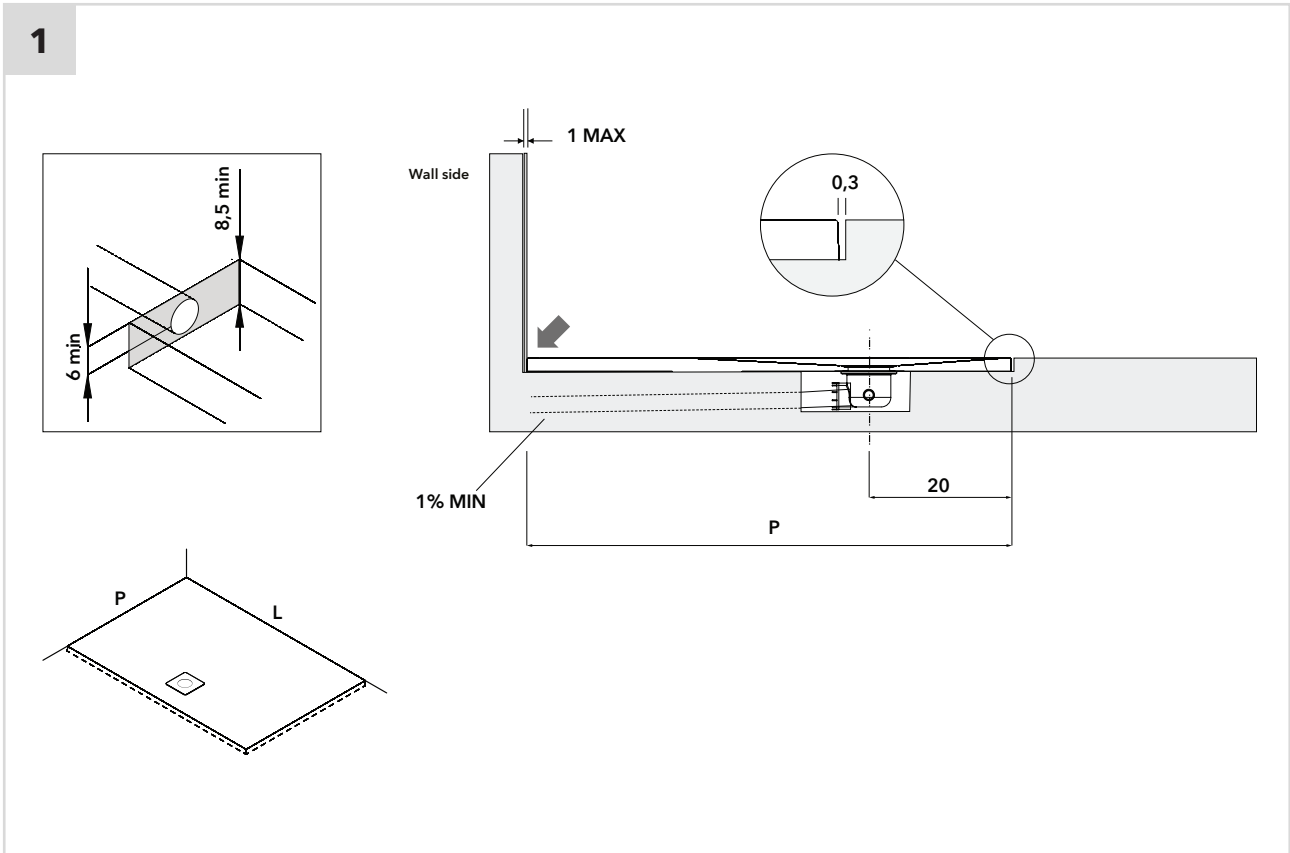






# Embedded Assembly

Mist shower floor long side drain



**3**

3a

3b

3c

3d

3a-3b-3c-3d

**4**

4a

24h

4a-4b

**NOT  
ONLY  
WHITE®**

<https://www.notionlywhite.com/>