

Flat shelves are an integral part of the Not Only White collection.

By using a customised shelf underneath or just next to your washbasin, you can easily create extra storage space. Ambiance can be personalized instantaneously by changing accessories placed on the shelf, such as towels and small storage boxes.

Design by Marike Andeweg

Shelf layout

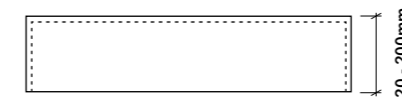
Fill in positions 1-2.

- ① max. 5000mm
- ② max. 550mm



Edge

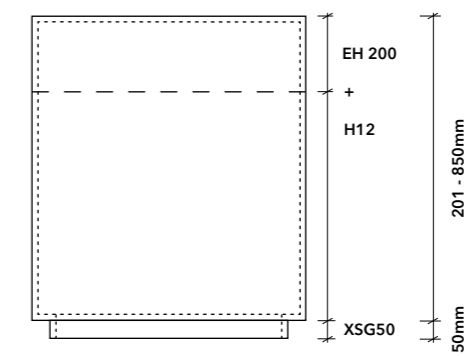
Flat shelf can be supplied with an edge from 20mm up to 900mm. In order to keep our brackets out of sight, Not Only White recommends an edge height of 85mm.



EH100
Edge 20 - 100mm high

EH150
Edge 101 - 150mm high

EH200
Edge 151 - 200mm high



EH200 + remaining m² in H12
Edge 201 - 850mm high

XSG50
50mm plinth for floor-standing model

Holes

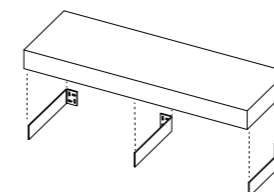
In the case of a top-mounted tap, Not Only White can pre-drill tap holes (code **HH35**).

In the case of a countertop bowl, Not Only White can pre-drill a hole for the drain (code **HH70**).

In the case of a semi-recessed Noon bowl in Flat shelf, Not Only White can pre-mill a hole (code **HH170**).

Brackets and ribs

Please refer to page 11, where brackets and ribs are explained, to find out what type of support is needed for your washbasin.



Materials and colors

- Himacs**
- White
 - Grey

Basq trays

Flat shelf can be supplied with a plateau on the side for Basq trays. Please refer to page 10 and 45.

